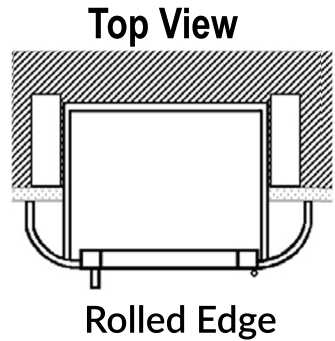
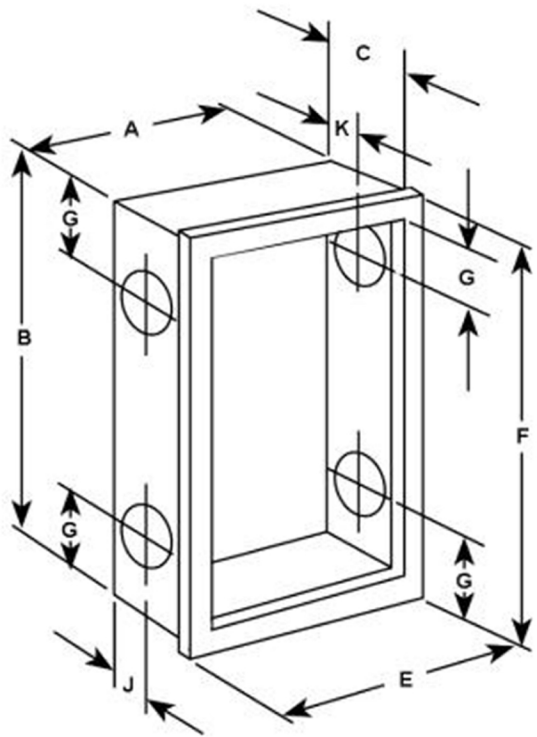


SEMI-RECESSED ALUMINUM ROLLED EDGE SUBMITTAL : DIMENSIONS

DOOR SERIES #	Tub I.D.			Frame O.D.		Wall Opening			Knockout Locations		
	A	B	C	E	F	W	H	D	J	G	H
6027	24	30	6	27 3/8	33 3/8	25	31	4 1/4	Specify When Ordering		
6127	24	30	8	27 3/8	33 3/8	25	31	6 1/4	4	4	2 1/2
6227	24	34 3/4	6	27 3/8	38 1/8	25	35 3/4	4 1/4	Specify When Ordering		
6427	24	34 3/4	8	27 3/8	38 1/8	25	35 3/4	6 1/4	4	4	2 1/2
6627	24	38 3/4	8	27 3/8	42 1/8	25	39 3/4	6 1/4	4	4	2 1/2
6327	30	30	8	33 3/8	33 3/8	31	31	6 1/4	4	4	2 1/2
6527	32 3/4	34 3/4	8	36 1/8	38 1/8	33 3/4	35 3/4	6 1/4	4	4	2 1/2
7227	32 3/4	38 3/4	8	36 1/8	42 1/8	33 3/4	39 3/4	6 1/4	4	4	2 1/2



Custom knockout locations available by request